



# HOSE COMPANY 2 - WESTBURY FIRE DEPT.

## TRAINING EXERCISE

### FORCIBLE ENTRY - VEIS - SCBA CONFIDENCE COURSE

#### STATION 1 - Forcible Entry

Forcible Entry on Doors begins with adequate Door Size Up:

**We Need to know:**

How the door opens: Hinged, Slider, Roll up...

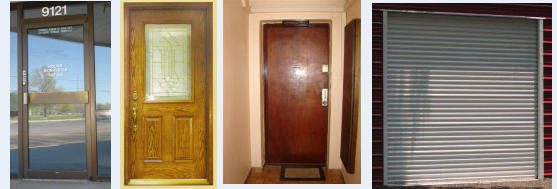
Doors Make Up: Metal, Wood, Fiberglass, Metal framed glass ...

Direction the door opens: Inward, Outward, Side to Side or Up

How the door is secured from being opened: Its Locking mechanisms

How it's affixed to the structure: Nails, screws, cement block...

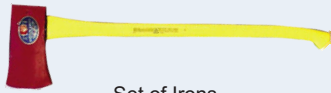
What is going to meet us once the door is opened: Fire, 200 lb dog...



Once we've sized these items up,  
= We choose the Weakest link to get the door open.

#### TOOLS

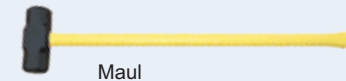
USE IN FORCING DOORS



Set of Irons



Maul



Pry Bar



K-Tool Kit



Officers Tool



Pipe Wrench



Bunny Tool



Duck Bill Lock Breaker



Rabbit Tool



Power Saw

#### Door's Opening Direction



Door will open **Away from you** - Inwards when forced

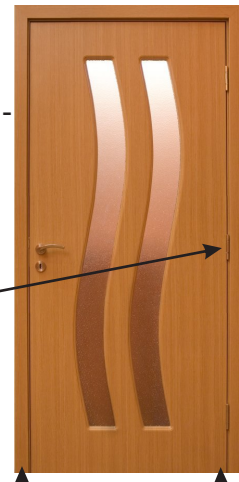
DOOR is RECESSED - will see door Jam/Stop

Hinges will NOT be visible

**PUSHING**

**Inward Opening**

Note Recessed



Door will open **towards you** - outwards when forced

DOOR is FLUSH with the Jam/frame

Hinges are visible

**PULLING**

**Outward Opening**

Door and Frame are Flush

# Through The Lock



Irons/K Tools Set



Halligan in K Tool

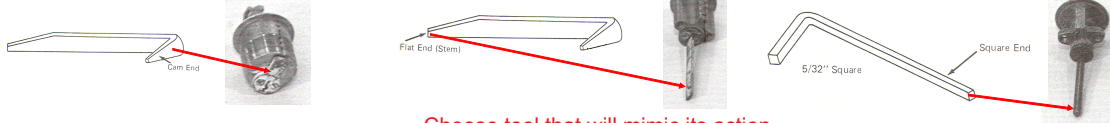


Strike Halligan w/ Axe or Maul until K-tool secures to lock



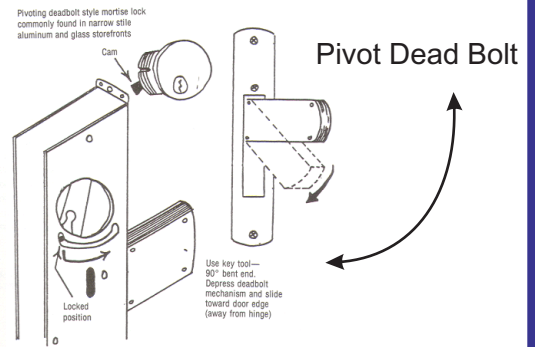
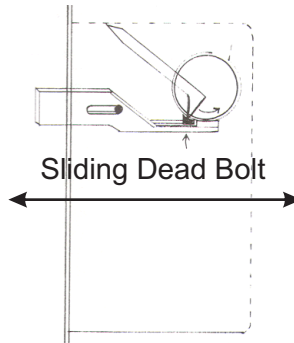
Pry Halligan Down Removing the lock from door

Look at back end of removed lock

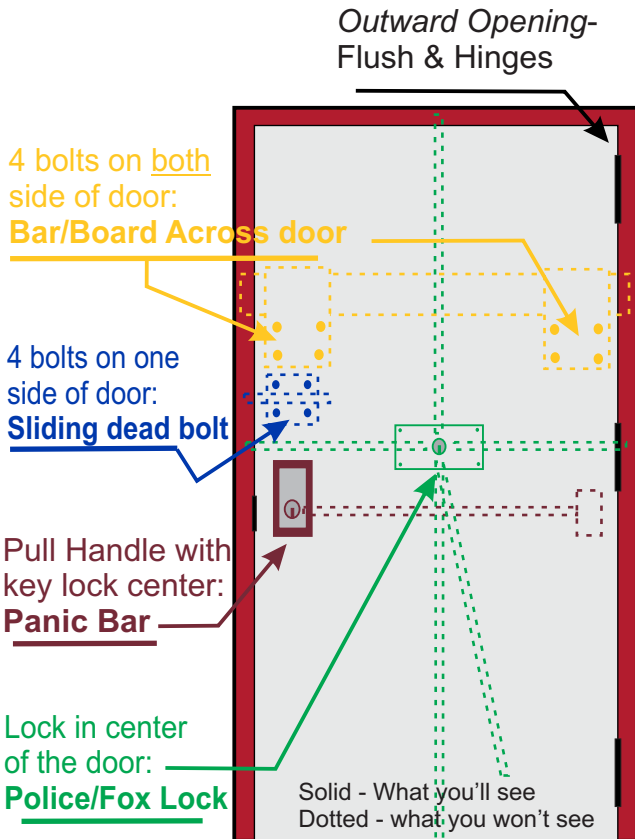


Choose tool that will mimic its action

Operate the locking mechanism as if it was the key turning in cylinder



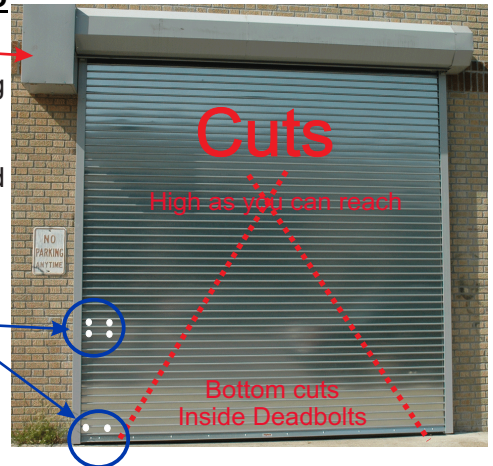
## Reading Door's Locks:



## Roll Up Gates

**Weakest Link** →  
Open Housing  
Pull Cam Pin  
Gate can be manually lifted

Signs of inside dead bolts ( **bolt heads** )  
Door would need to be cut



**Lock is Weakest Link**  
If we can't get Locks - Cutting is Required:

Cut vertically inside and above **both** locks

Once cuts are made: Pull gate slot above slot above lock out

**Remember to -TRY BEFORE YOU PRY!**



# HOSE COMPANY 2 - WESTBURY FIRE DEPT.

## TRAINING EXERCISE

### FORCIBLE ENTRY - VEIS - SCBA CONFIDENCE COURSE

#### STATION 2 - Vent - Enter - Isolate - Search

##### Vent - Enter - Isolate - Search:

**VENT** - involves forcing entry (from doors, windows, walls) into an area where a victim or victims are most likely to be found.

**ENTER** - involves entering the structure from this point of ventilation, you just created - first we sweep the floor below opening, checking for victims

- Sound the floor before entering – make sure floor is intact
- After entering 1st FF waits for 2nd FF to get to the opening
- 2nd FF stays outside and maintains orientation
- 2nd FF maintains voice/visual contact & monitors smoke/fire conditions

**ISOLATE** - to avoid drawing fire into this area, due to the opening created, the firefighters who entered should locate and close any doors to the area preventing the fire, heat and smoke from extending into the area.

**SEARCH** – doing a quick traditional search of the **room/area** you entered and **immediately exit** upon completion of that search.

These searches do not extend outside of the room/area entered and will be done while the 2<sup>nd</sup> FF monitors the entering FF from outside. The 2<sup>nd</sup> FF should also be ready to do the removal if a victim is found.

As with all tactical *operations*, the IC should be notified whenever VEIS is initiated, so it can be coordinated with other fire ground operations. *This is an extremely dangerous task, most of the time putting you ahead of the fire, without the protection of hose line and possibly unknown to inside operating teams.*

### X – Point of Entry

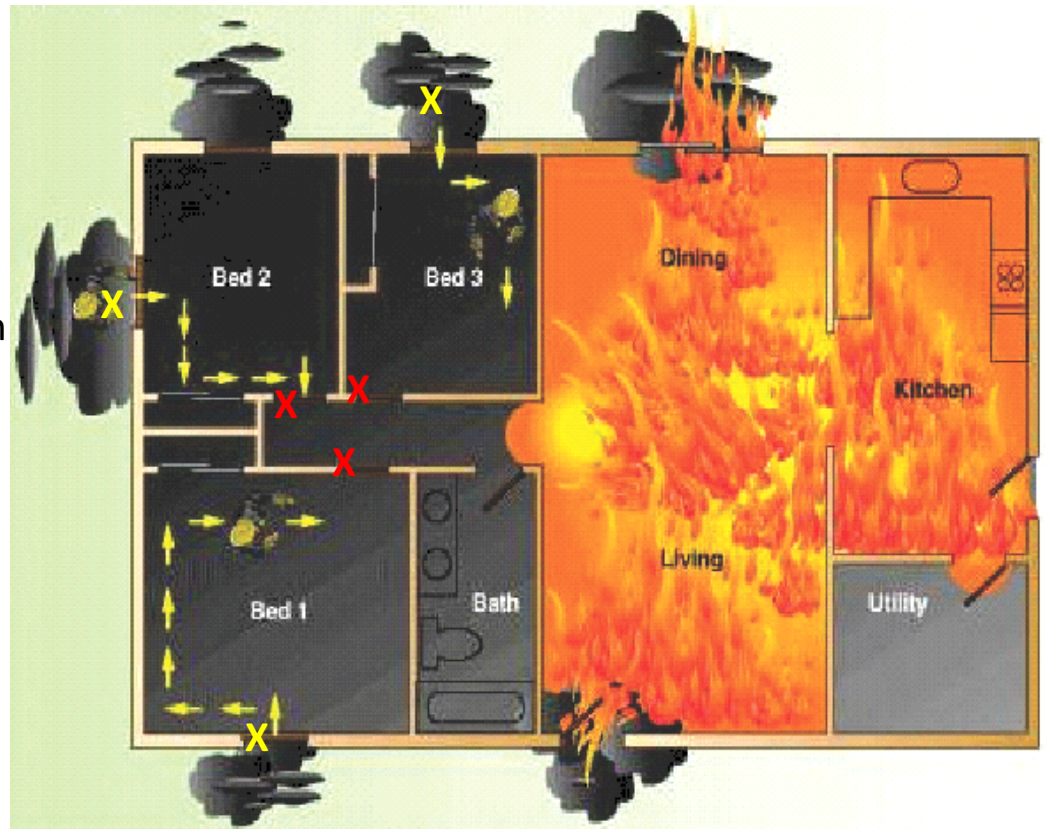
VEIS member enters

Does Traditional Search  
of the area – Right or  
Left hand Search

### X – Door to close

If nobody is found, get  
out

If a victim is found,  
*Radio and Remove*



### X – Point of Entry

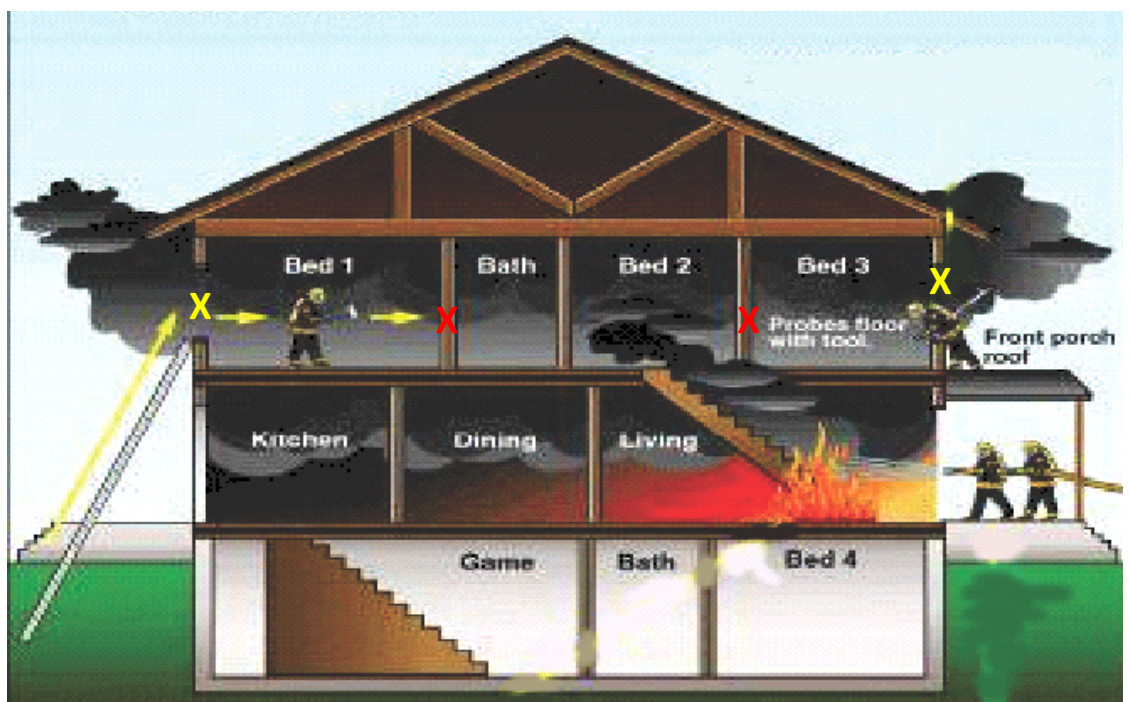
Entry made via  
Ladder or Porch

After Entry Made

### X – Door to close

If no one found,  
get out from  
your Point of  
Entry

If Victim found, Radio and Remove





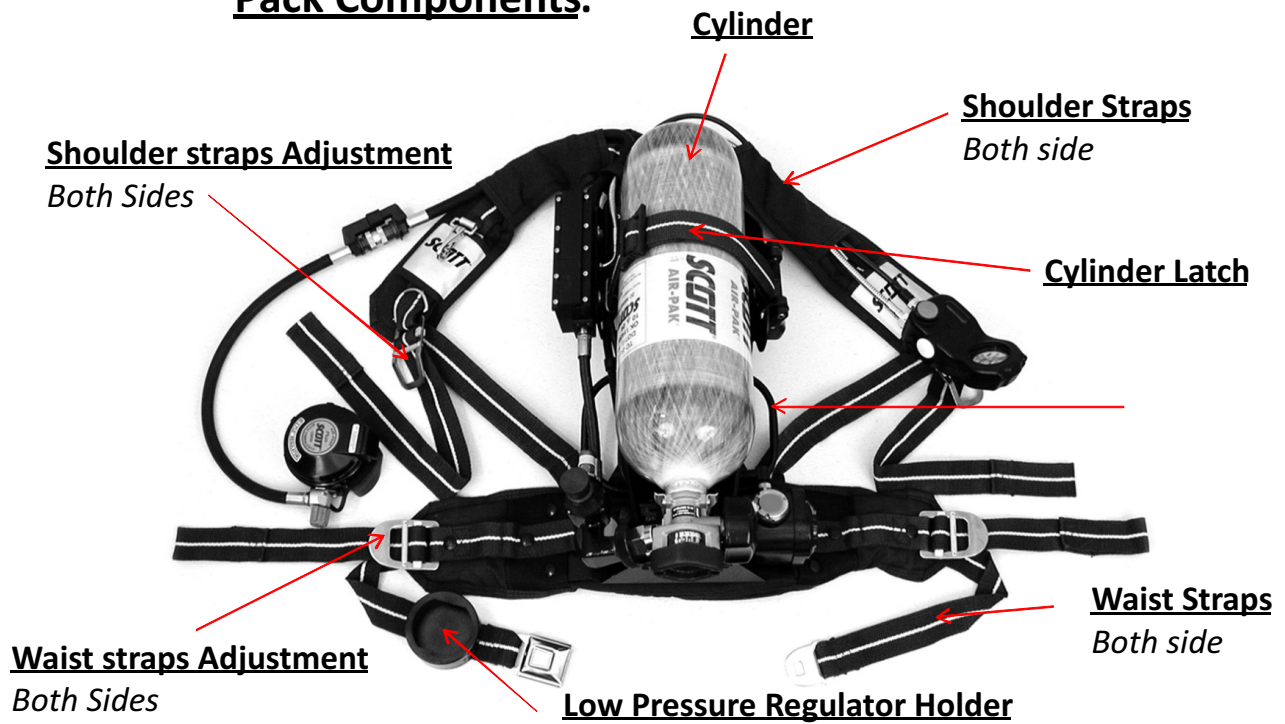
# HOSE COMPANY 2 - WESTBURY FIRE DEPT.

## TRAINING EXERCISE

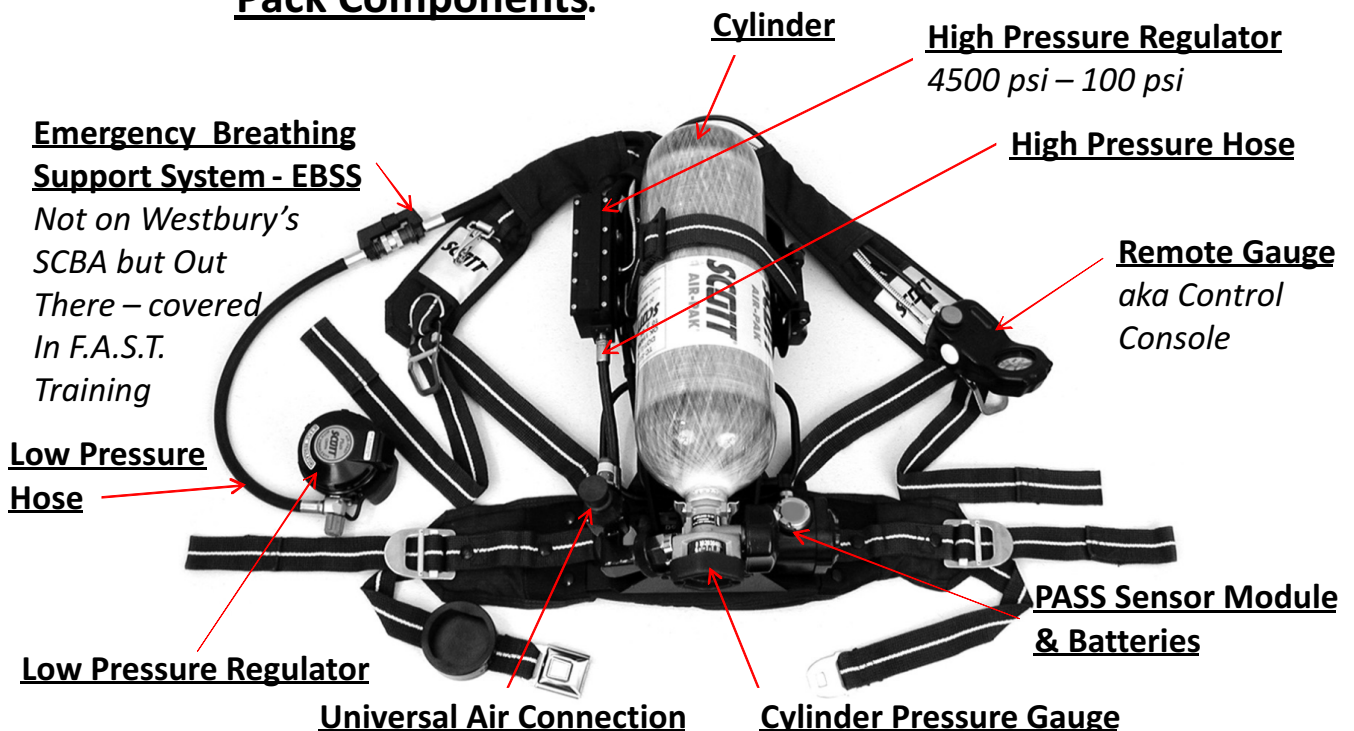
### FORCIBLE ENTRY - VEIS - SCBA CONFIDENCE COURSE

#### STATION 3 - SCBA CONFIDENCE COURSE - Annual Certs.

#### Pack Components:



#### Pack Components:





## **HOSE COMPANY 2 - WESTBURY FIRE DEPT.**

# ***TRAINING EXERCISE***

## **FORCIBLE ENTRY - VEIS - SCBA CONFIDENCE COURSE**

### **Station 1 -**

#### ***Utilizing door prop :***

Ops - Inward opening door

Ops - Outward opening door

Door size up

#### ***Utilizing - Roll Up on Container:***

Review - forcing roll up locks

Review - Cutting rollups

### **Station 2 -**

#### ***Utilizing - Training Building***

**1 Person:** Ladder raise

Safe window Venting procedures

Entering from a Ladder

Isolating a room

Searching a room/area

Exiting to a ladder

### **Station 3 -**

#### ***Utilizing - SCBA Course***

Members Review SCBA components and their safe uses

Annual SCBA Confidence Course using emergency escape maneuvers.